



MANTION POLSKA

WWW.MANTION.PL

Modi | ROC DESIGN

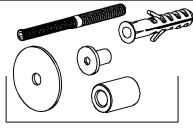
219-240, 219-241, 219-242, 219-243, 219-244
219-321, 219-331, 219-341, 219-351, 291-361



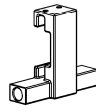
x1



x2



x4/x5/x6



x2



x2



St8x60

x2



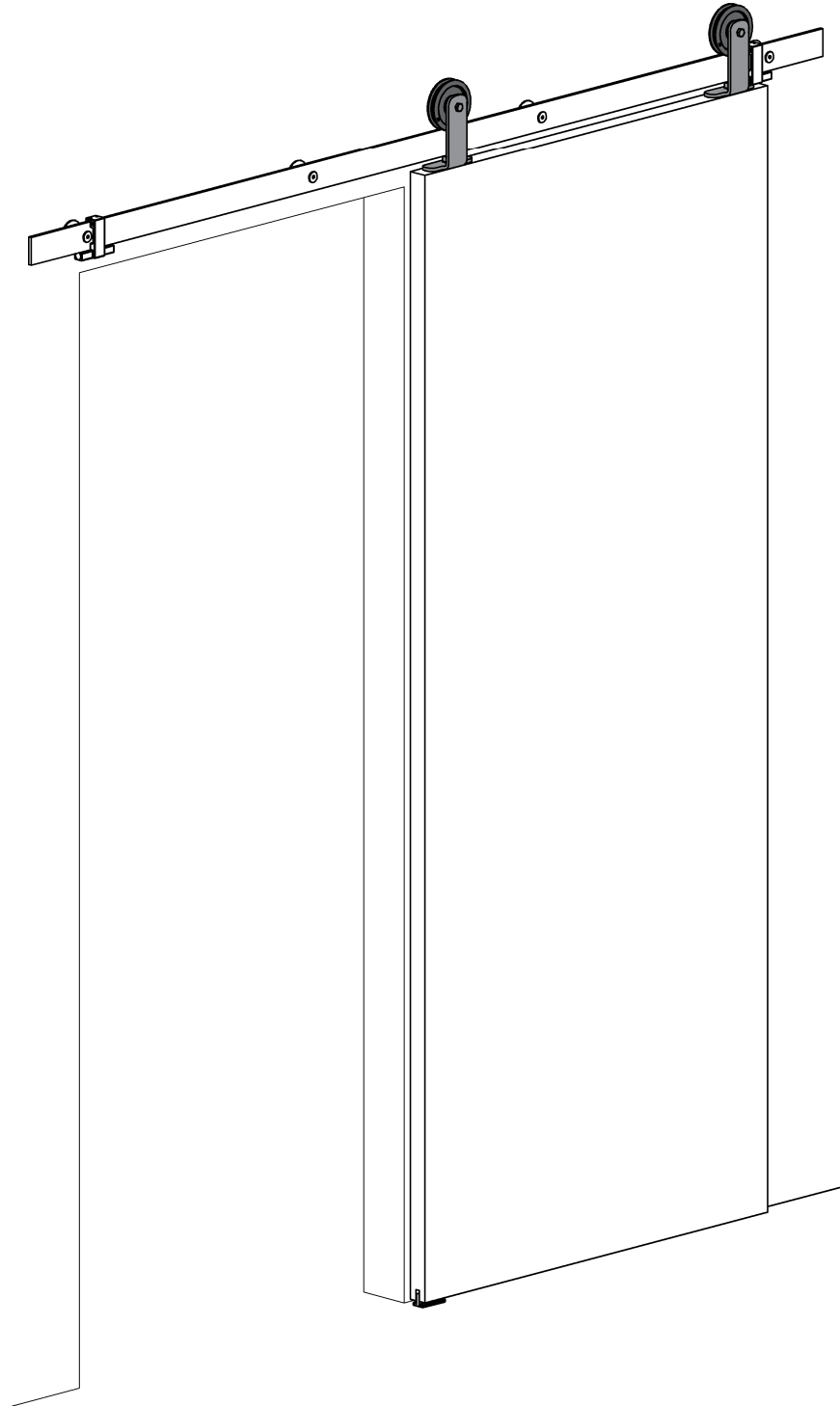
x1



St4x40

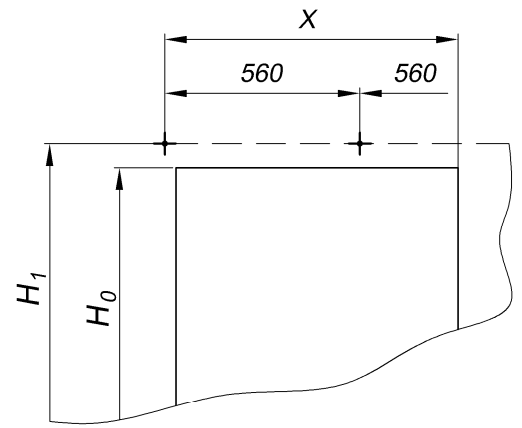
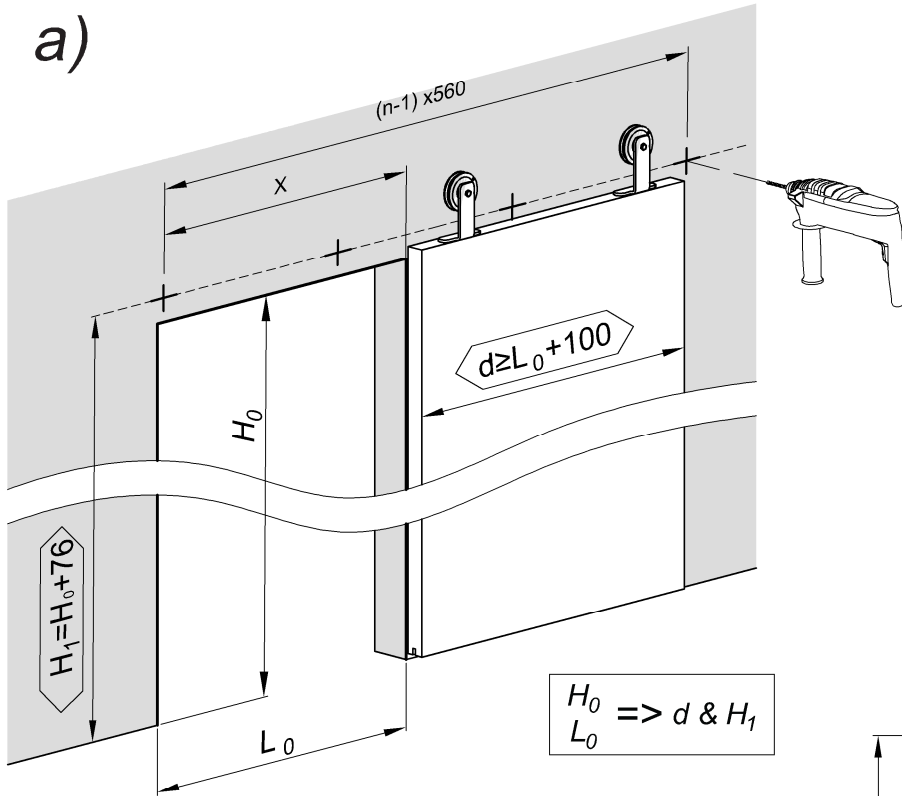
Ø6x30

x2

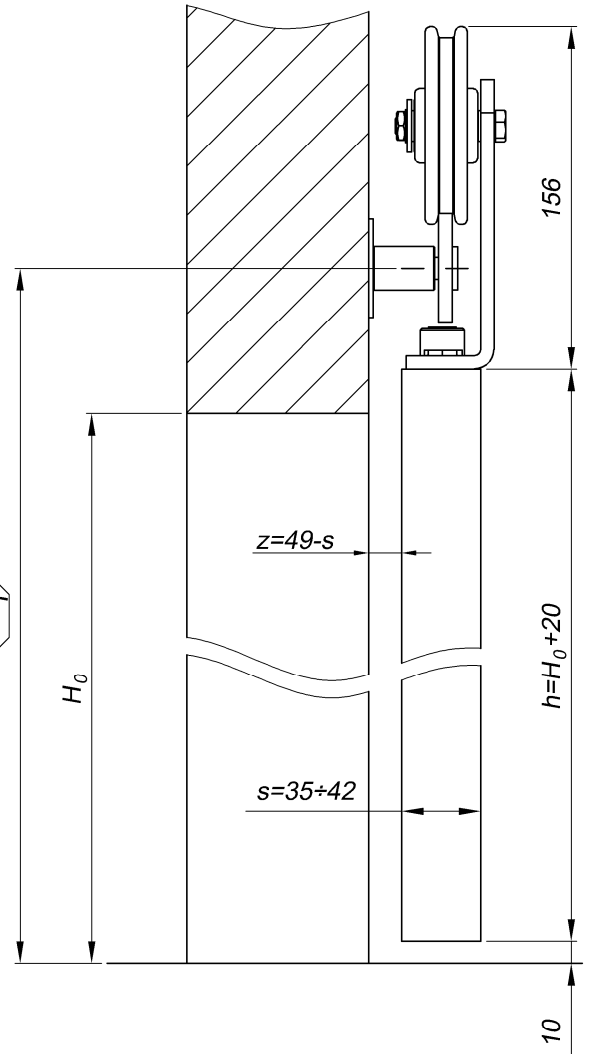


1

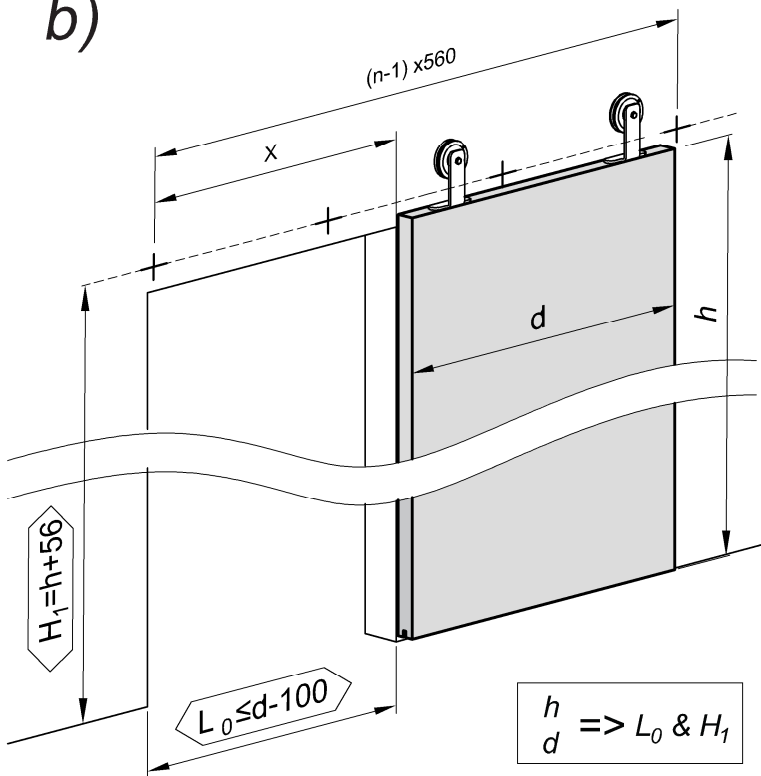
a)



L_{Track} [mm]	1950	2400	3000
X [mm]	840	1120	1400
n [szt]	4	5	6



b)



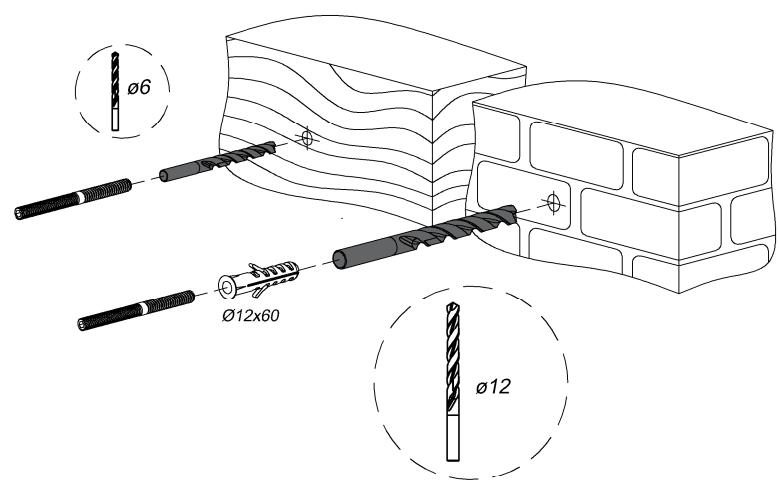
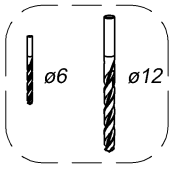
216-110
216-111

!

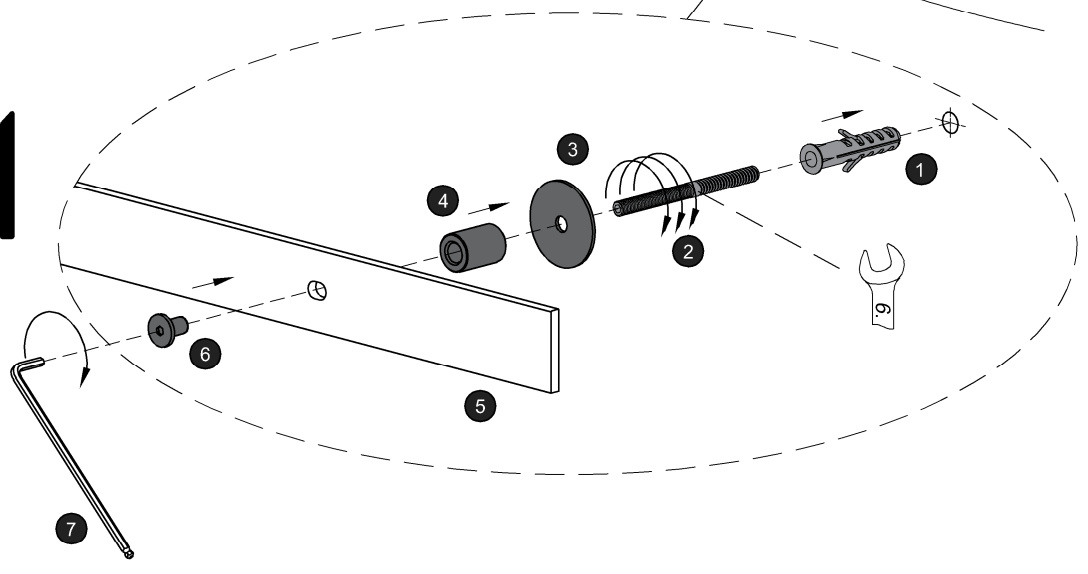
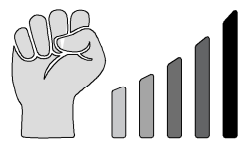
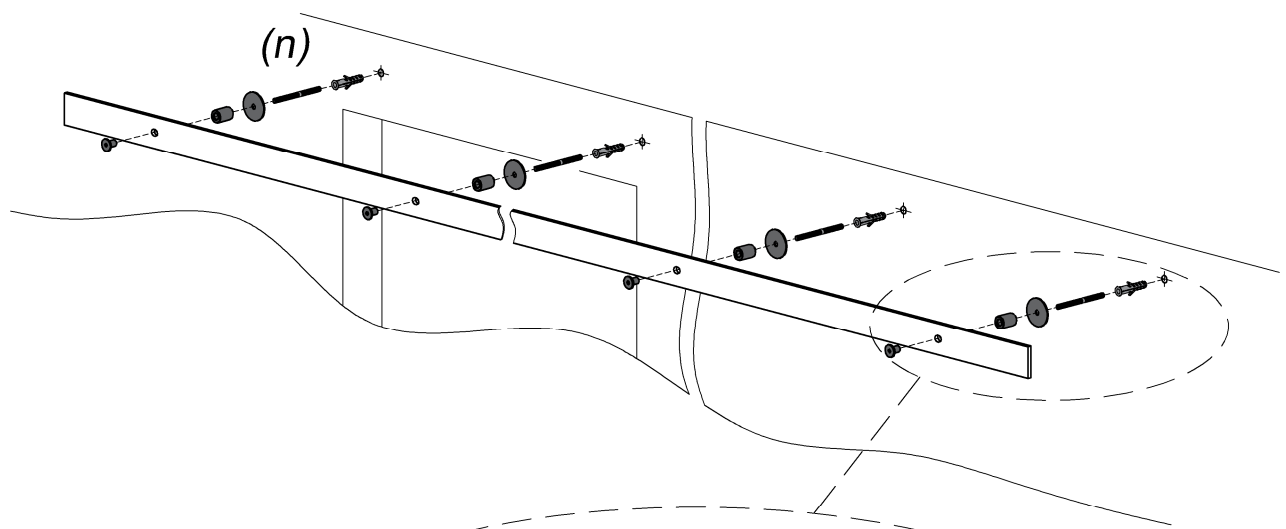
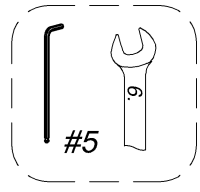
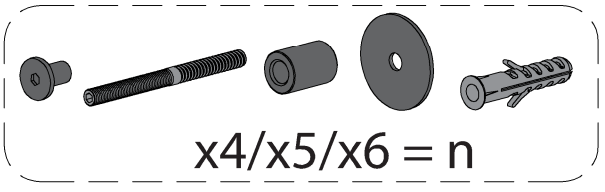
$H_1 = H_0 + 81$
 $H_1 = h + 61$



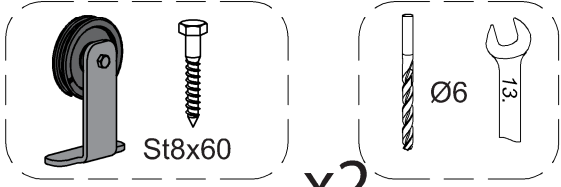
2



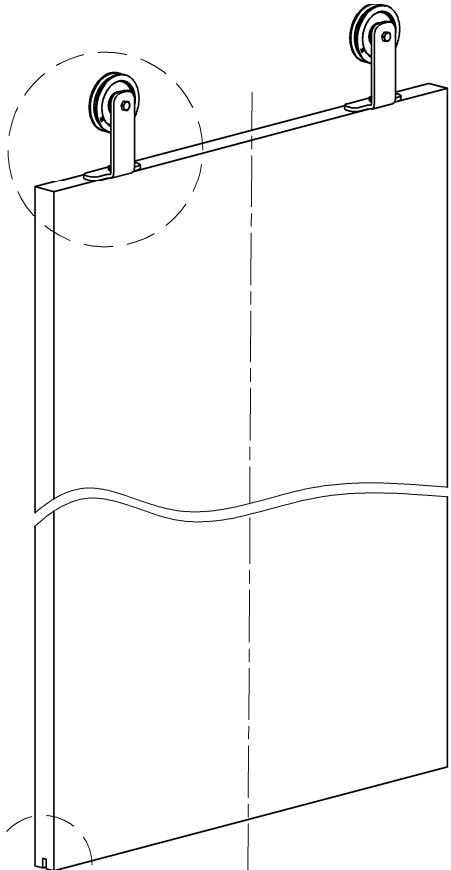
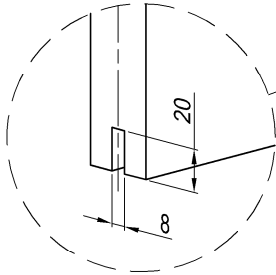
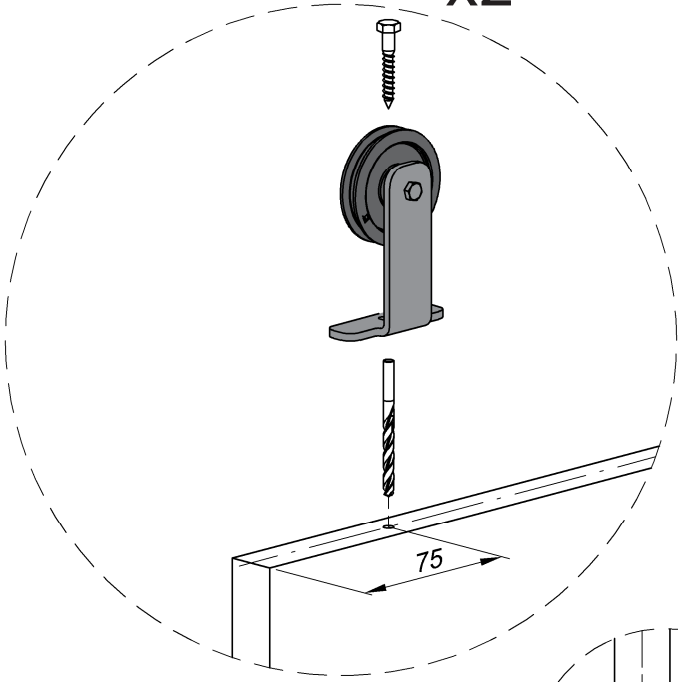
3



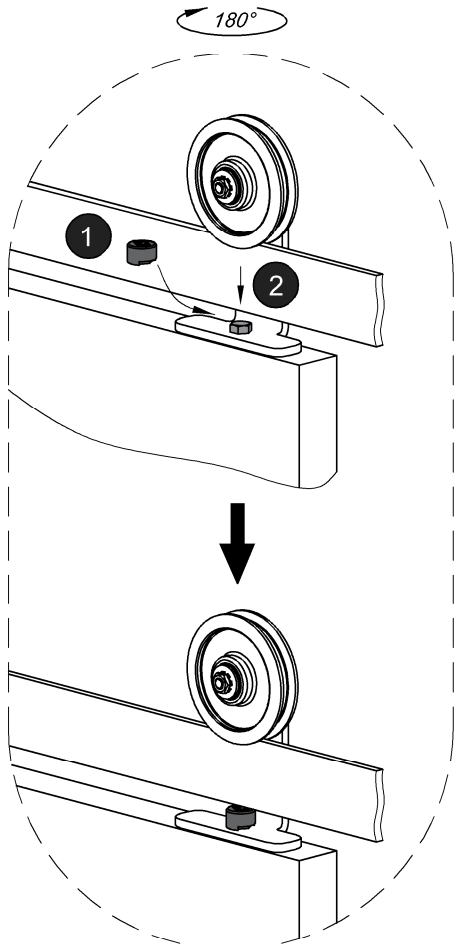
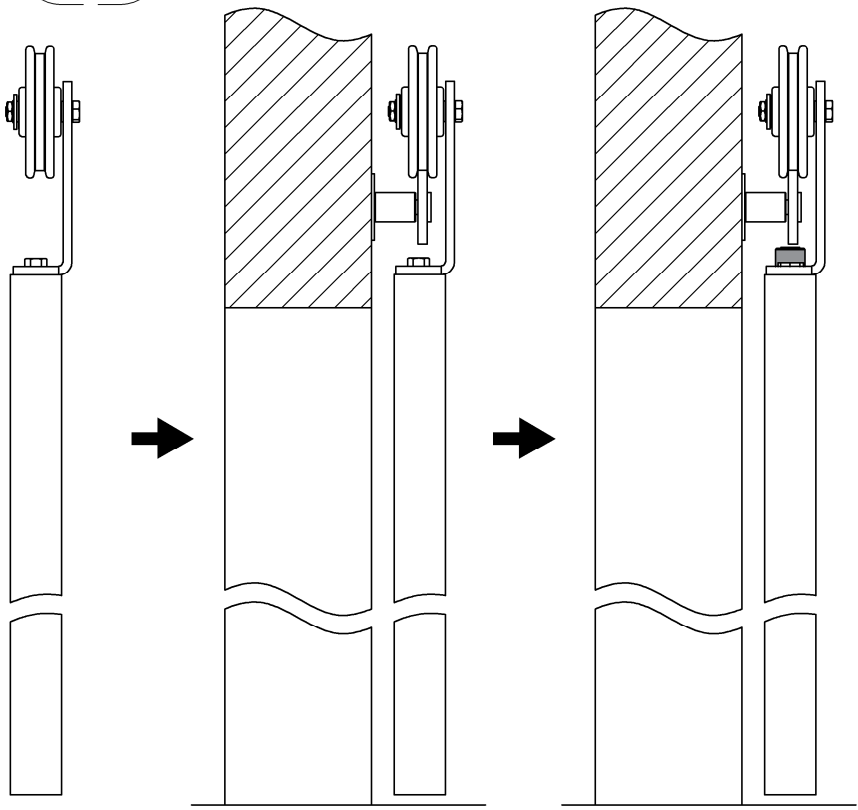
4



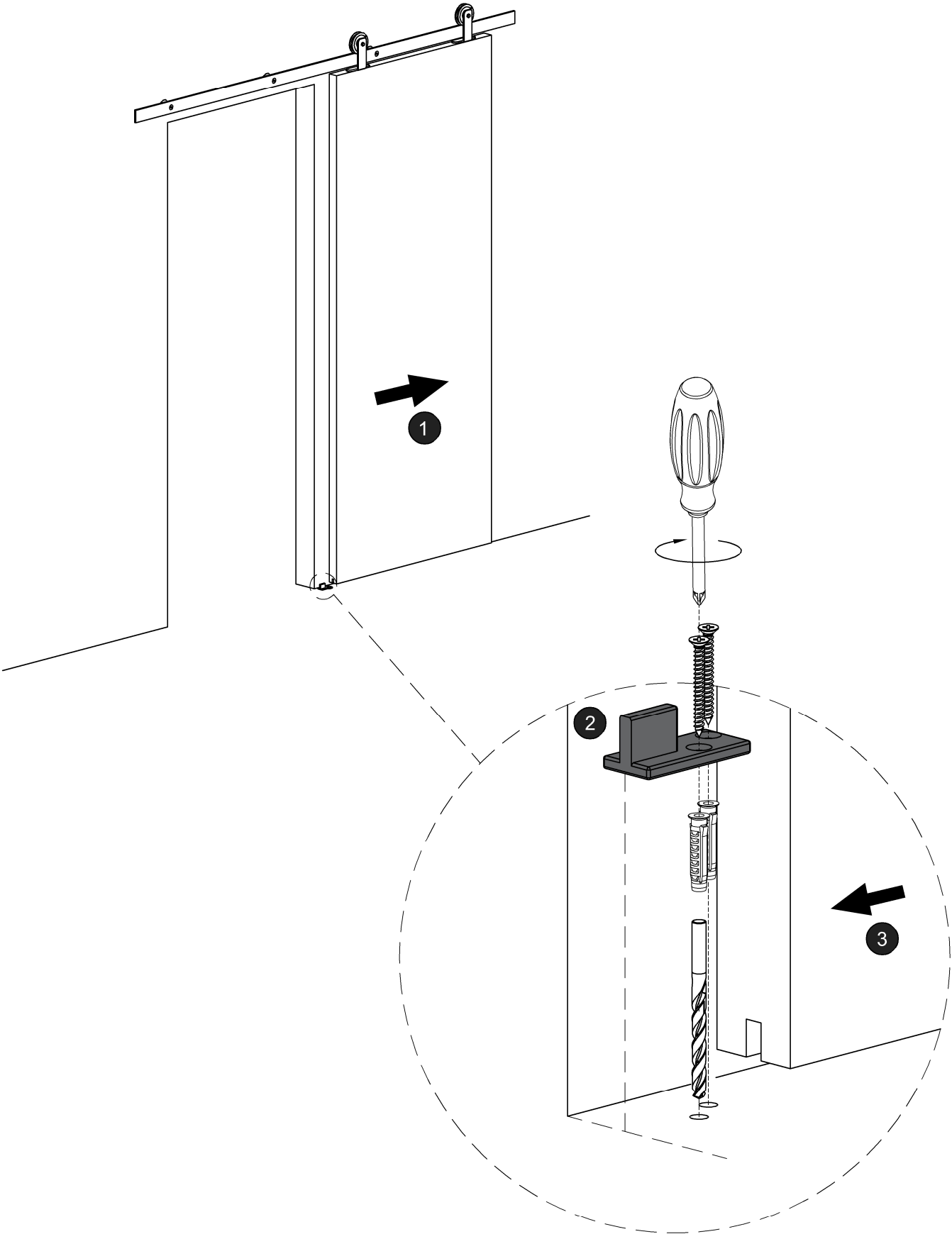
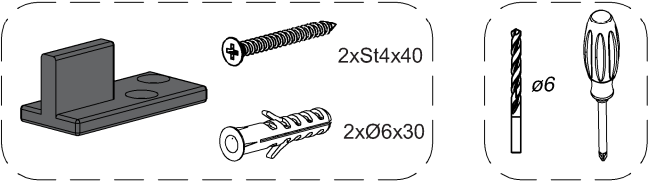
x2



5

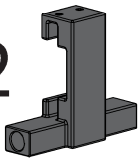


6

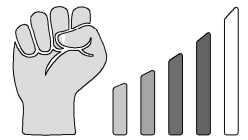
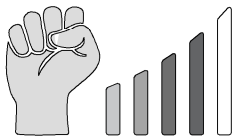
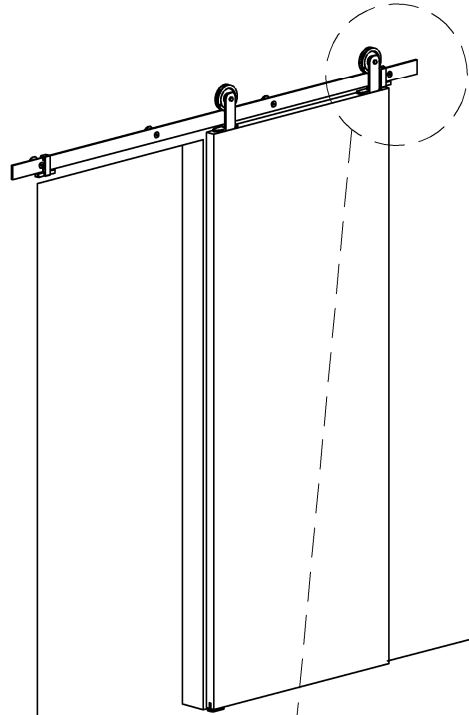
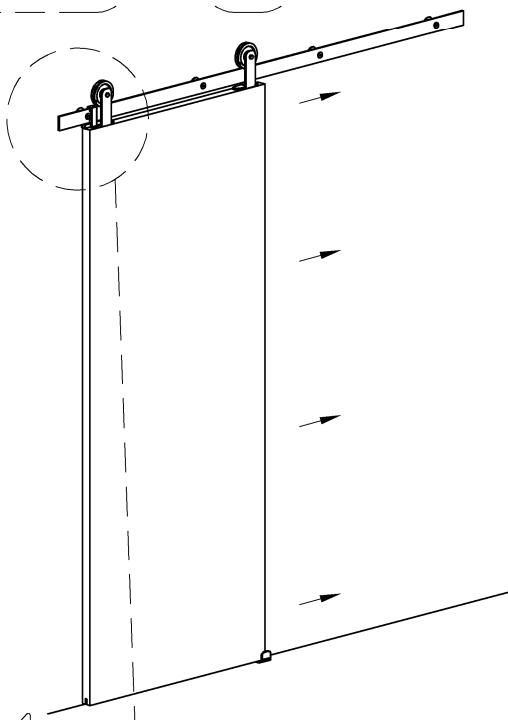
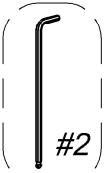


7

x2



#2



7a

7b

